

Specifications

HD-PLC Ethernet Adaptor

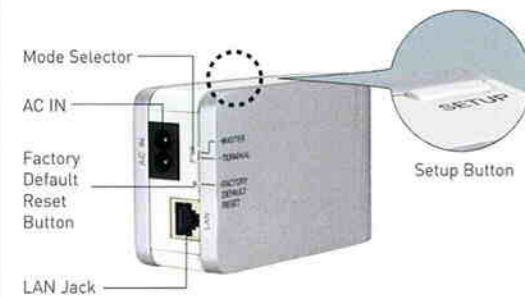
Power Line Communication Interface	
Standard	HD-PLC
Actual transmission speed*1	UDP: Max. 70 Mbps TCP*2: Max. 42 Mbps
Maximum recommended no. of adaptors per network*3	16 (including the Master)
Maximum recommended no. of network devices connected to each adaptor*4	8
LAN Interface	
Standard	IEEE 802.3/IEEE 802.3u
Interface	10 Base-T 100 Base-TX Auto MDI/MDI-X
Protocol	IPv4, IPv6, TCP, UDP
Access method	CSMA/CD
General	
Operational environment	0-40°C (32-104°F) 20%-85% humidity (without condensation)
Dimensions (W x D x H)	Approx. 121 mm x 40 mm x 70 mm (4 3/4" x 1 9/16" x 2 3/4")
Weight	240 g (0.53 lb.)
Power supply	Input 120 V AC (USA) 100-240 V AC (Others)
Power consumption	4 W

HD-PLC Interface

Frequency band	4-28 MHz
Modulation	Wavelet OFDM (16 PAM-2 PAM)
Transmission PHY rate	Max. 190 Mbps*5
Access method	CSMA/CA TDMA*6
Error correction	Reed-Solomon encoder/decoder Convolutional encoder/Viterbi decoder
Encryption	AES 128-bit encryption
Communication distance	Approx. 150 m (490 ft.)*7

*1 Results may vary depending on electrical conditions, network environment, and other factors. For information on how transmission speed is measured, access the Panasonic PLC Support Site at: <http://panasonic.co.jp/pcc/products/en/plc/>
*2 Using Linux FTP.
*3 Performance may be affected as more adaptors are added to the network.
*4 Connecting more network devices to an adaptor may increase network traffic and affect performance.
*5 This is the theoretical maximum data transmission speed of the HD-PLC standard.
*6 The HD-PA100 does not support TDMA.
*7 Varies depending on the electrical environment.

Part Names



Mode Selector

The position of this selector during registration determines whether the adaptor is used as the Master or as a Terminal.

LAN Jack

Connects the adaptor to a network device, such as a broadband router, hub, computer, etc.

AC IN

Connects the adaptor to AC power as well as to the HD-PLC network.

Setup Button

Used to register the adaptor or test the terminal's network speed.

Factory Default Reset Button

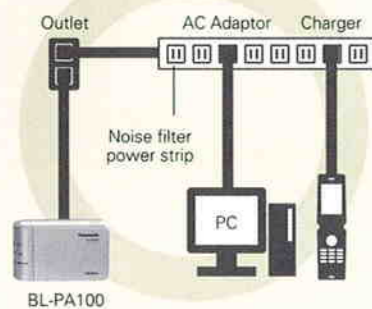
Used to reset the adaptor and erase its registration.

Recommended Connection

We recommend plugging the adaptor directly into a wall outlet whenever possible.

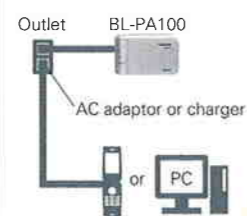
Recommended

Direct connection to the wall outlet, with other loads connected via a noise filter power strip.

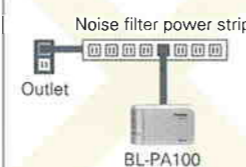


Not Recommended

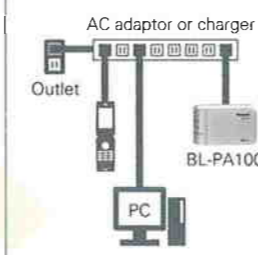
Battery chargers (including cell phone chargers) and other devices, when they are connected to the same power outlet.



Connection to a power strip with noise filter.



Connection to a power outlet with multiple loads.



*If the following kinds of electrical appliances are located near the PA100 Master or PA100 Terminal, or the following connections are used, the signal may be obstructed and the transmission speed may be reduced: vacuum cleaners, dryers, electric drills, and other appliances with electric motors (only when the appliances are being operated); lighting equipment such as touch-sensor lights and halogen dimmer lights, or compact battery chargers for cell phones and other devices (when they are connected to the same power outlet as the PA100); connection of the PA100 to a power outlet with multiple loads, or to a power strip; or transmission to extremely distant rooms.



The next step in home network.

convenience

Everyone Smiles with the HD-PLC Ethernet Adaptor

HD-PLC

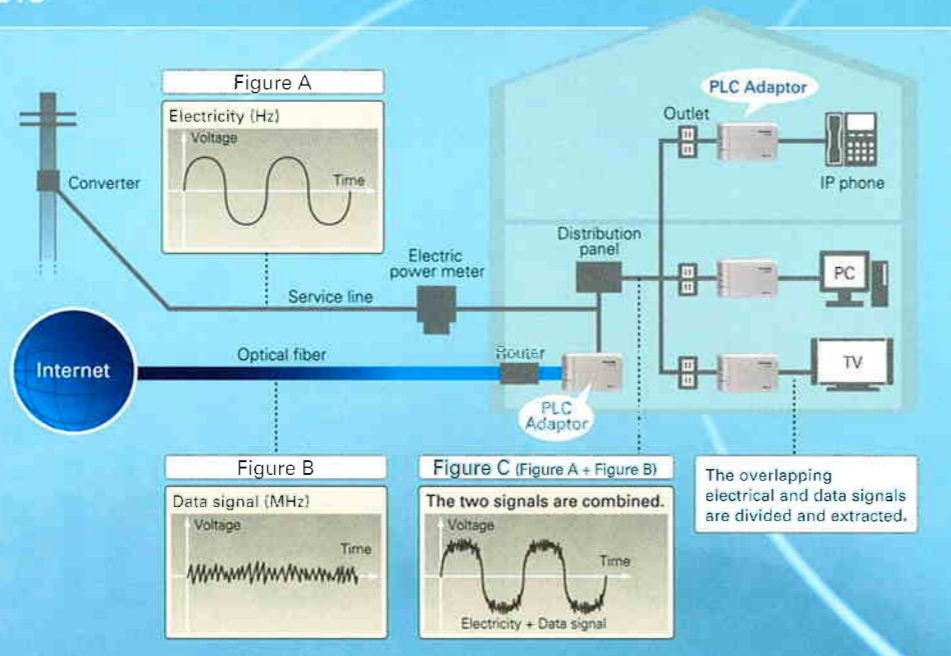
Introducing the Super-Easy Home Network System

The new HD-PLC Ethernet Adaptor makes an exciting breakthrough in home network systems. It brings true satisfaction by solving the problems of slow data transmission, difficult settings, insufficient safety, and limited applications. Using just the ordinary power outlets in your home, Panasonic's HD-PLC Ethernet Adaptor will let you easily enjoy the world of the Internet.



PLC Operating Principle

Power Line Communication (PLC) is a technology that uses power lines to both supply electric power and transmit data. Electricity travels in large, slowly changing waves (figure A), while data signals move in small, quickly changing waves (figure B). Since these waves travel at different speeds, there is no mutual interference when they travel together (figure C). This makes it possible to send data signals through power lines, and access the Internet from power outlets. Original Panasonic HD technology uses this principle to provide the large data transmission capacity and high speed of the HD-PLC Ethernet Adaptor.



Excellent Utility ¹

It uses ordinary power outlets. You can connect to the Internet* from any room that has an outlet.

*A broadband service subscription is required.



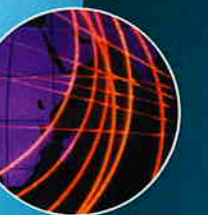
Easy Set-up ²

No complicated settings. You don't even need to use a PC to set-up the HD-PLC Ethernet Adaptor.



High-Speed Communication ³

A theoretical maximum communication speed of 190 Mbps lets you enjoy movies, music, and more with ease.



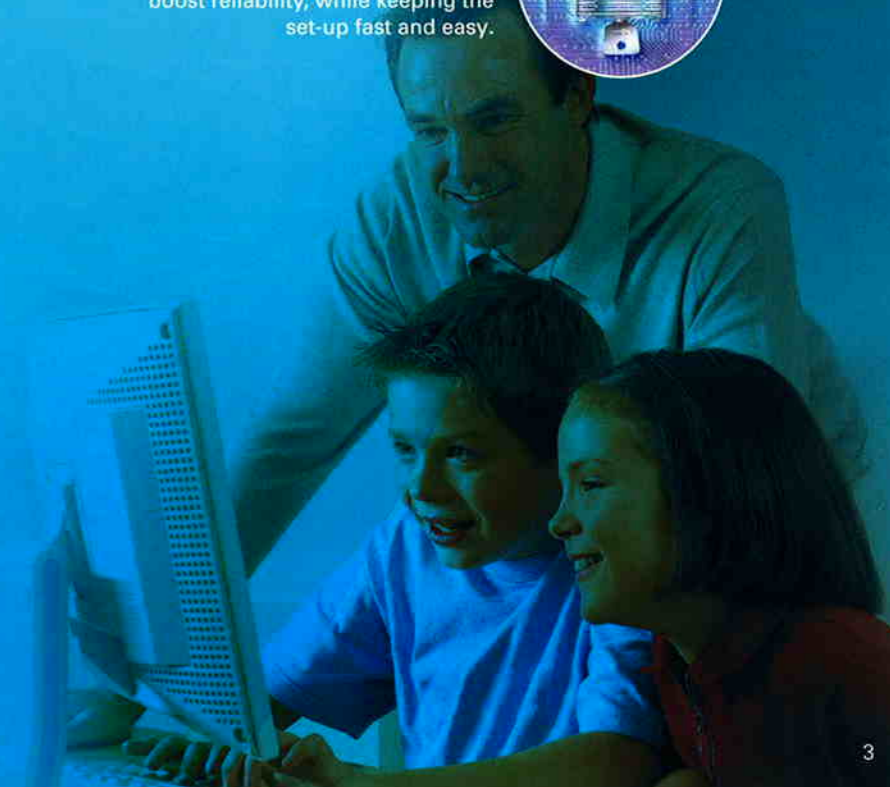
Economy ⁴

Very economical. No need to pay a lot of money for a house LAN system, and no expensive cables to buy.



High Reliability ⁵

Superb security functions greatly boost reliability, while keeping the set-up fast and easy.



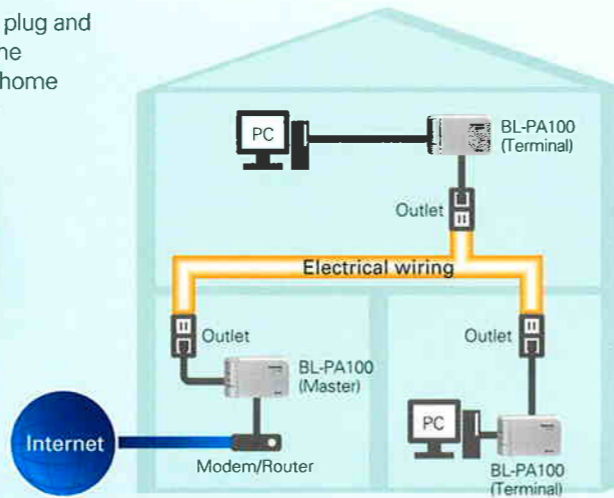
Great Features for Enhancing Home Entertainment



1 Excellent Utility Can be used anywhere that has a power outlet.

The HD-PLC Ethernet Adaptor turns every power outlet in the house into an Internet access point. Just like plugging an electric cord into the outlet, you insert the

HD-PLC Ethernet Adaptor plug and you're ready to log on to the Internet. It's a super-easy home network, with no need for complicated cables.

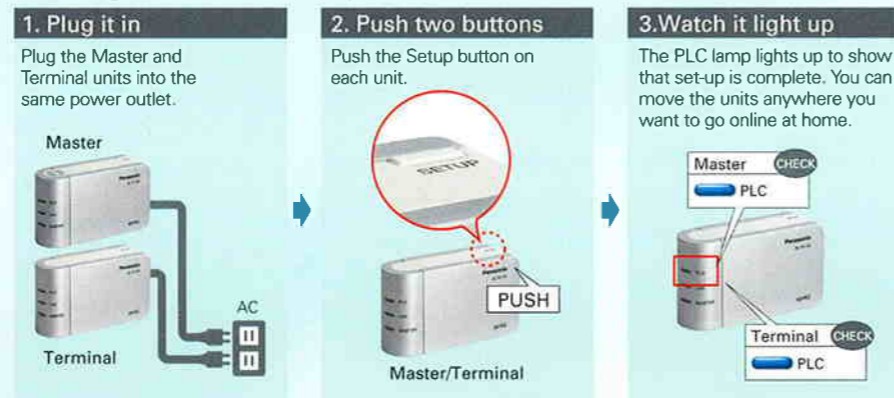


2 Easy Set-up — No PC Required Settings are easy for anybody to make.

There's no tricky installation or complicated settings. Just take the BL-PA100KT*1 out of the box and plug it into the power outlet. Set up the other equipment on the network, such as routers and PCs, as described in their respective instructions. Adding more HD-PLC Ethernet Adaptors*2 is easy too, using the quick 3-step procedure shown here.

*1 Contains a set of two BL-PA100 units. One HD-PLC Ethernet Adaptor can be set as the Master unit, and individual Terminal units can be registered. One of the BL-PA100KT units is set as a Master unit and the other is set as a Terminal unit when they are shipped from the factory. *2 BL-PA100

Adding more HD-PLC adaptors



3 High-Speed Communication Fast, comfortable communication of high-volume data.

Fast, comfortable communication of high-volume data. At a theoretical maximum transmission speed of 190 Mbps, the system is faster than a wireless LAN system, even when comparing actual system speeds. Also, a simple speed measurement function*1 shows the communication speed between Master and Terminal units.*2 The speed is measured by simply pressing a button on the Terminal, so you can easily find which power outlets give you the highest communication speed for a

more comfortable network environment. You no longer have to feel frustrated because of slow data transmission.

*1 The indicated speed is only valid for the moment at which it was measured. It does not imply that the indicated speed will continue.
*2 It does not indicate the communications speed between Terminals.

Refer to the chart below to determine the network speed.

Front panel	PLC	LAN	Master	Network speed
				No link
				Good Less than 10 Mbps*3
				Better 10 Mbps to 30 Mbps*3
				Best More than 30 Mbps*3

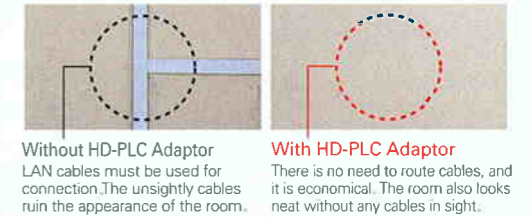
*3 Approximate data transmission speed when transmitting data using the UDP protocol.

4 Economy — No Wiring Needed No need to drill holes in the wall or use unsightly cables.

No need to drill holes in the wall or use unsightly cables. Because you can use your existing electrical wiring and power outlets, you save the expense of wiring. You also don't need to extend any cable

modem or router cables to your PC, so there is no need to drill holes or run cables along the floor or wall. In addition to being economical, this preserves the room's appearance.

Unattractive wall with cables Neat wall without cables

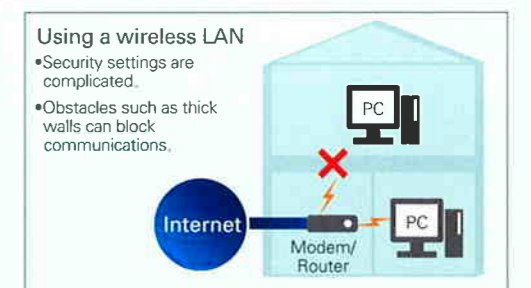


5 High Reliability Superb security features without complicated settings.

The HD-PLC Ethernet Adaptor comes standard with AES* 128-bit encryption, and the security settings are made automatically without any need for a PC. This easy set-up ensures a high level of safety and no setting mistakes. Also, because it uses household power outlets, data communication is not blocked by obstacles like

walls as it is with wireless LAN systems, so you enjoy smooth and easy network communication.

*AES stands for Advanced Encryption Standard. It is a next-generation encryption standard approved in 2001 by the National Institute for Standards and Technology (NIST), an organization under the U.S. Department of Commerce, as a standard encryption technique to be adopted by the U.S. government. Vulnerabilities discovered in the previous DES (Data Encryption Standard) were eliminated in AES.



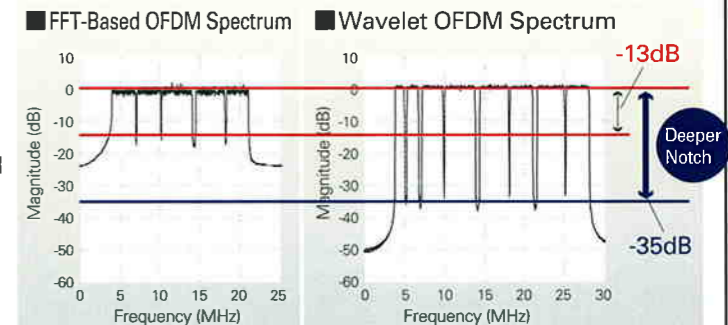
Panasonic HD-PLC Features

HD-PLC is a proprietary Panasonic technology that enables high-speed, high-quality, stable data transmission.



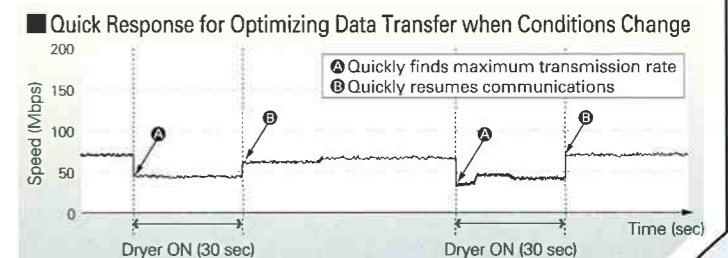
Wavelet OFDM System

The HD-PLC PHY (physical layer) uses Wavelet OFDM (Orthogonal Frequency Division Multiplexing) technology to achieve highly efficient transmission with characteristics that exceed even FFT (Fast Fourier Transform)-based OFDM systems. Wavelet OFDM features greater speed efficiency and forms a deeper "flexible notch" that prevents interference with shortwave and other broadcasts. This is achieved by appropriately modulating the sub-carrier and by including no guard interval.



Stable Data Communication Performance

The BL-PA100 quickly detects fluctuations in the data transmission path caused by noise and other factors, and determines the optimal data transmission method to enable maximum throughput at that point in time and achieve stable communication performance. Strong error correction coding and a diversity mode also boost reliability in poor-quality home power lines.



Enjoy Expanded Data Communications, Easy Image and Sound Distribution, and Greater Security



With the HD-PLC Ethernet Adaptor, Panasonic opens the door to a truly ubiquitous home network system.

The age of ubiquitous networking continues to evolve. As a core for the ubiquitous home network, Panasonic recommends a network system based on the HD-PLC Ethernet Adaptor. Going beyond the simple enjoyment of Internet use or a home LAN system, this opens the door to IP communications as well as the free exchange of images and sounds with a high level of security overall. It also lays the groundwork for a total home network system that will let you control your home appliances with your cell phone from just about anywhere. You can look forward to a whole new lifestyle with Panasonic's HD-PLC Ethernet Adaptor.



1. IP-Home Security

The HD-PLC Ethernet Adaptor can be combined with network cameras to create a home security system or to watch over the family by monitoring the camera images.

- A** Combine with a network camera and door phone to check on visitors before opening the door.
- B** Install a network camera in the garage to prevent car theft.
- C** Watch your child sleep in the bedroom while you are in the living room.



2. IP-Audio Listening

While listening to Internet-distributed music in your own room, download the songs you like and send them to your mother on another floor of the house.



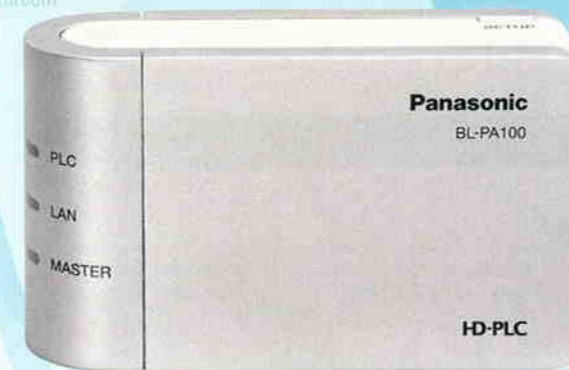
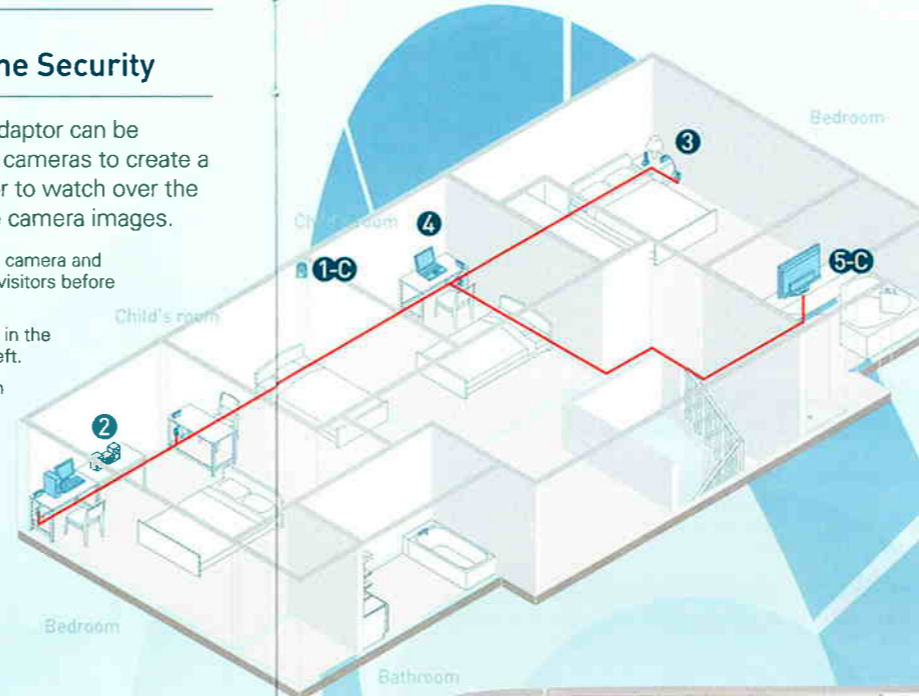
3. IP-Communication

In addition to PC information and data, you can install an IP telephone and talk with distant family or friends at very low cost.



4. IP-Game Playing

Parents and children can play Internet games together. You can also compete with your family in different rooms.



5. IP-TV Viewing

Enjoy TVs and movies distributed over the Internet.

- A** You can watch HD programmes.
- B** Move your PC into the kitchen and watch cooking programs while you cook.
- C** You can watch HD programmes in two places simultaneously.



6. IP-Mobile Control

You can check the conditions back home while you are away to make sure everything is safe. In the near future, home appliances will be equipped with a PLC module so you can control the air conditioner and see what's inside your refrigerator from outside the house.

